

# TAIDEN<sup>®</sup>

## *HCL-1120 Line Array Column Loudspeaker*

*Excellent conferencing solutions*



**Installation and Operating Manual**

**V 1.0**

**HCL-1120 Line Array Column Loudspeaker**

**Features:**

- Compact design, natural and high- quality sound
- Built-in 4 3.0-inch full-frequency drivers
- Wide frequency range and enhanced performance:  
Characterized with wider bandwidth, has the lowest frequency at 65 Hz. Constant resistance (8 Ω) power mode for higher output level
- Coverage pattern: Horizontal: 150°, Vertical: 30°
- Professional line array sound column, with uniform sound field coverage, higher transmission gain and hardly howling. Solve the sound reinforcement requirement in the environment with sound defect
- Enclosure designed IP-55 rate, per IEC60529 allows use in a wide of adverse conditions
- Fiberglass reinforced ABS cabinet with UV resistant
- Wall-mount (with fixed plate) or stand-mount



**Overview:**

HCL-1120 Line Array Column Loudspeaker, composed of three full-range drivers, features natural and high-quality sound in a compact and exquisite enclosure. It offers rich and nice middles, and crisp and sweet highs. Thanks to its wide and even sound field, HCL-1120 can be used for various applications such as in small conference room and classroom.

The internal speaker units arrayed vertically in close proximity form a linear sound source, which guarantees better coverage and less susceptibility to feedback at a longer throw distance. It characterized with wider bandwidth, has the lowest frequency at 65 Hz. Constant resistance mode (8 Ω) for higher output level.

Enclosure designed IP-55 rate IEC60529 allows use in a wide range of adverse conditions such as wet, dirty or corrosive environments.

**Specifications:**

Components	Four 3.0 inch full-range
Frequency response	65 Hz ~ 20 kHz (-10 dB)
Coverage pattern	Horizontal: 150° Vertical: 30°
Sensitivity (2.83 V@1 m)	90 dB
Impedance	8 Ω
Power capacity (8 Ω)	120 W (480 W peak), 2 hrs 72 W (288 W peak), 100 hrs
Max. SPL	110 dB
Enclosure	Fiberglass reinforced ABS cabinet, painted aluminum grille
Outdoor capability	IP-55 rated, per IEC60529, moisture- and water-proof, dust-proof, water-proof cable gland
Colors	Black or White
Insert	Three M4 insert points on back panel
Mounting	Included swivel wall bracket; provides horizontal direction ±80° continuous left and right rotation
Dimensions (h x w x d)	408x111x145 mm
Weight	2.1 kg
Accessories	Swivel wall bracket; wall-mounted fixed installation piece (optional)

HCL-1120_B.....	Line Array Column Loudspeaker (8 Ω, 120 W, black, 3 inch speaker unit, with adjustable installation brackets or HCL-1090BKTA_B fixed ones)
HCL-1120_W.....	Line Array Column Loudspeaker (8 Ω, 120 W, white, 3 inch speaker unit, with adjustable installation brackets or HCL-1090BKTA_W fixed ones)

**CBLSPK2 Speaker Cable**

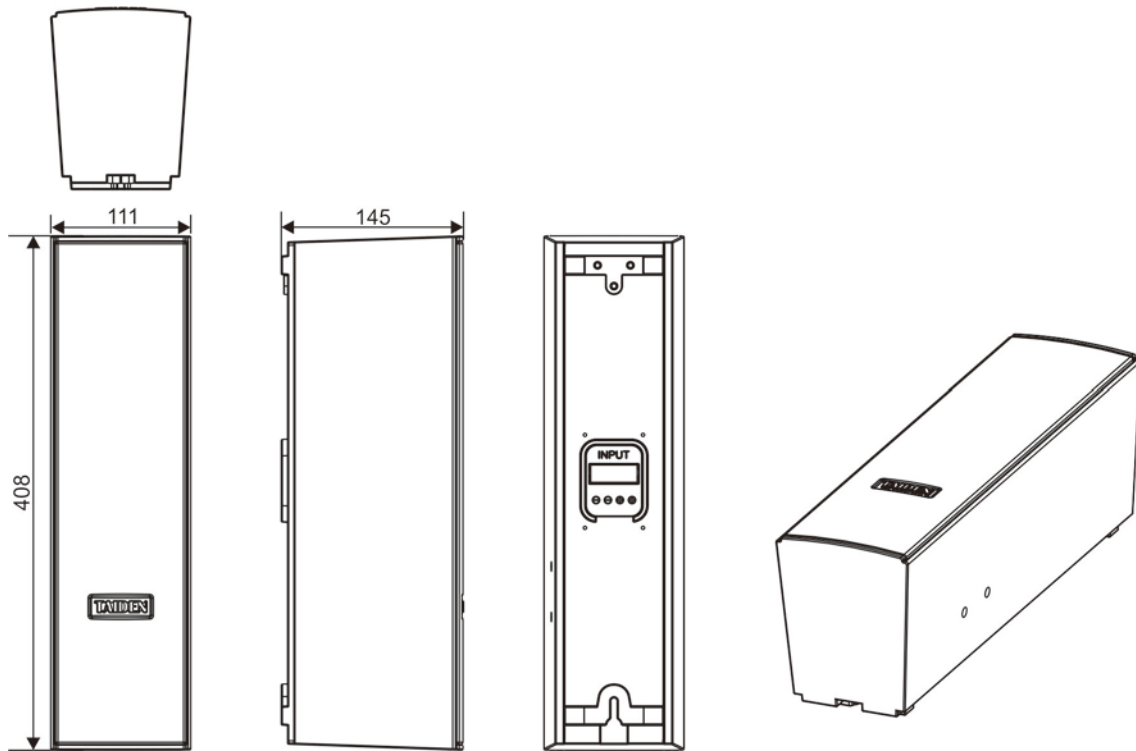
**Features:**

- 18AWG×2C
- Audio cable for HCL-1090 /HCL-1090B /HCL-1120 Line Array Column Loudspeaker
- Length of per roll: 305 meter
- Color: black with white stripe



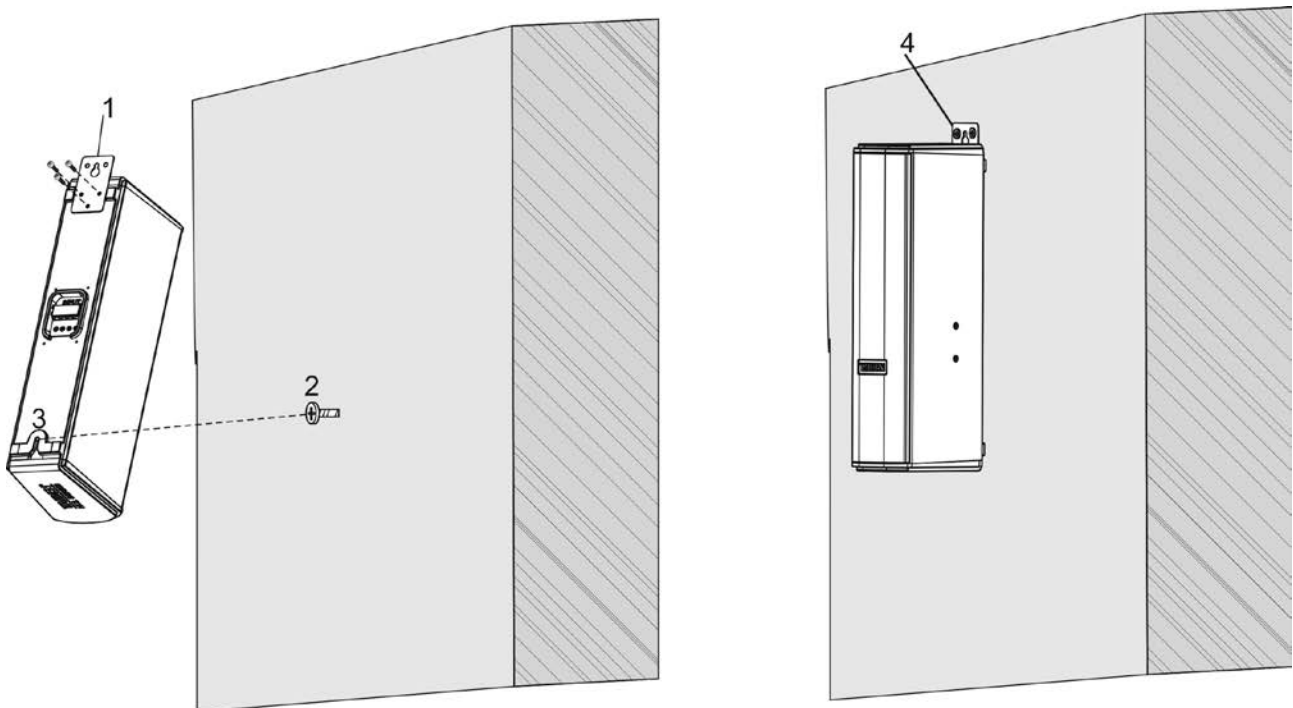
CBLSPK2.....	Speaker Cable (for HCL-1090 /HCL-1090B/HCL-1120 and HPA series speakers, 18AWG×2C, black with white stripe, 610 meter per roll, unit: meter)
--------------	--

**Dimensions (unit: mm):**



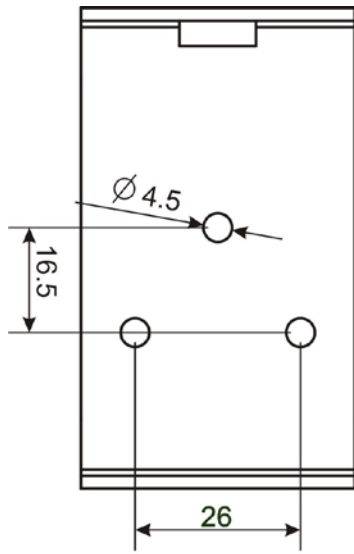
Dimensions of HCS-1120 Line Array Column Loudspeaker (unit: mm)

**Installation (Fixed):**

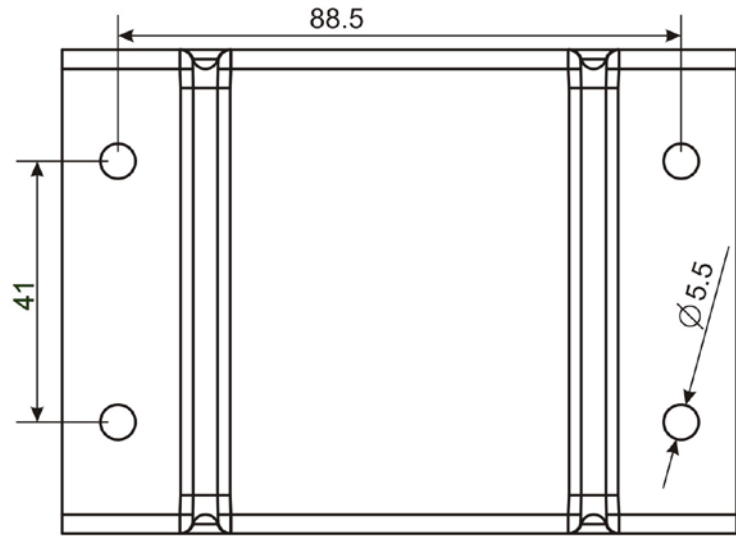


1. Install the fixed plate 1 on the HCL-1120, as shown in the figure;
2. Lock a screw 2 at the appropriate height, exposed wall 5.5 mm to 7.5 mm (excl. screw head);
3. Refer to the left figure and place the part 3 of HCL-1120 on screw 2;
4. Refer to the right figure to lock the fixed plate on the wall;
5. Secure the safety rope in a firm place.

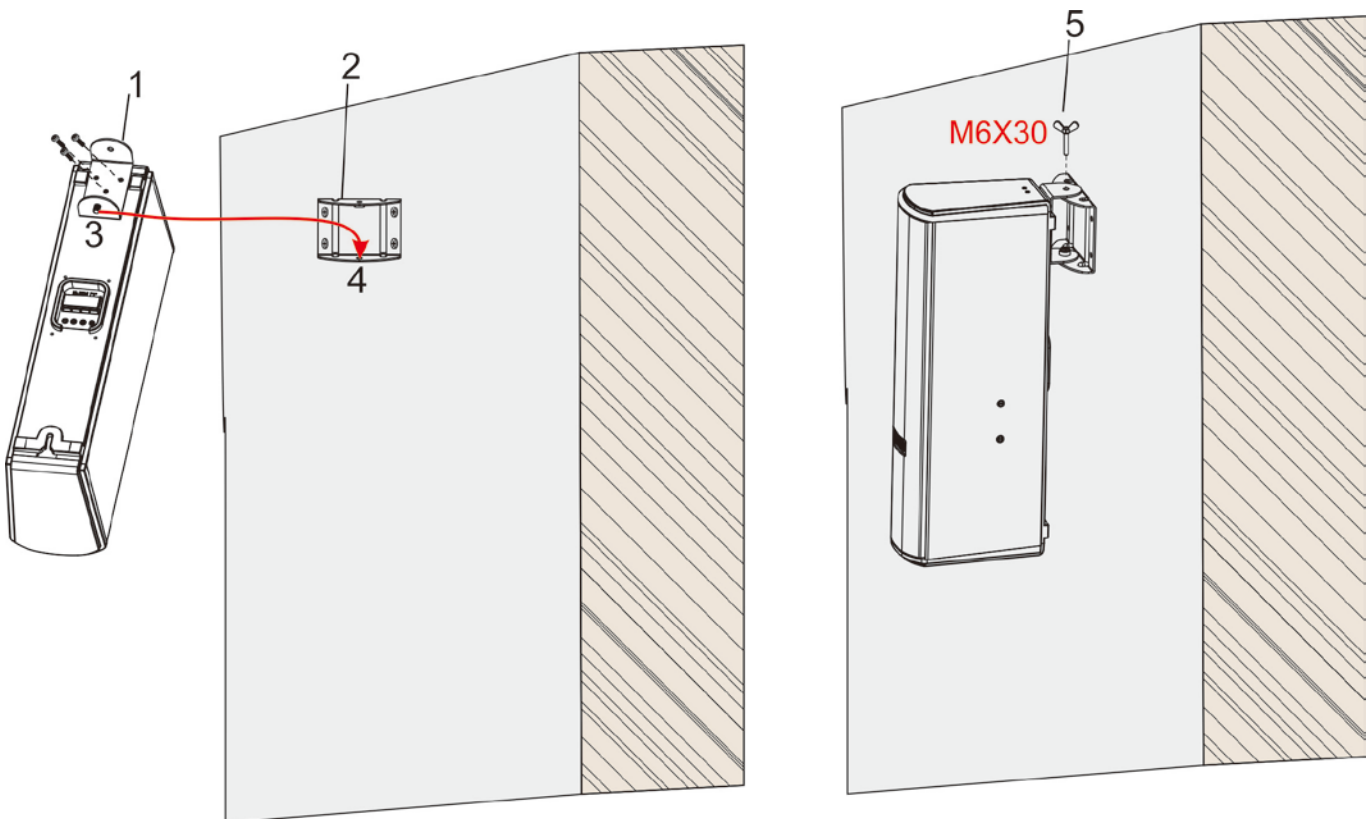
**Installation (swivel):**



Loudspeaker-mount section



Wall-mount section



1. Install the fixed plate 1 on the HCL-1120 (PM4×10 mm), as shown in the figure;
2. Attach wall bracket 2 to wall (PA4×30 mm);
3. Clip the bolt 3 of the fixed plate into the hole 4 of the wall bracket;
4. Set the swivel angle and then tighten the top bolt 5 (M6×30 mm).

**TAIDEN INDUSTRIAL CO., LTD.**

6/F, Block B, Future Plaza, 4060 Qiaoxiang Rd, Nanshan District, Shenzhen, China

P.C.: 518053

Website: <http://www.taiden.com>

**Last Revision: 12/2023**

Copyright © 2023 TAIDEN Industrial Co., Ltd. All Rights Reserved.